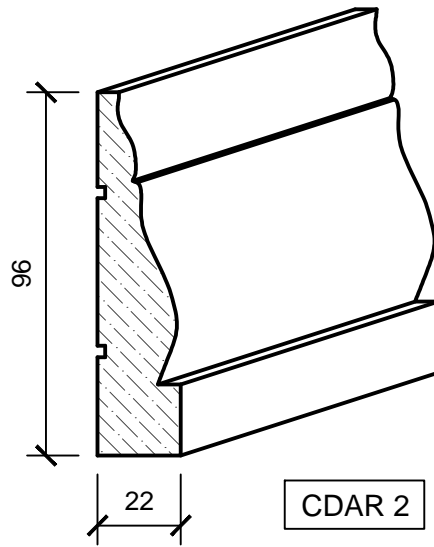
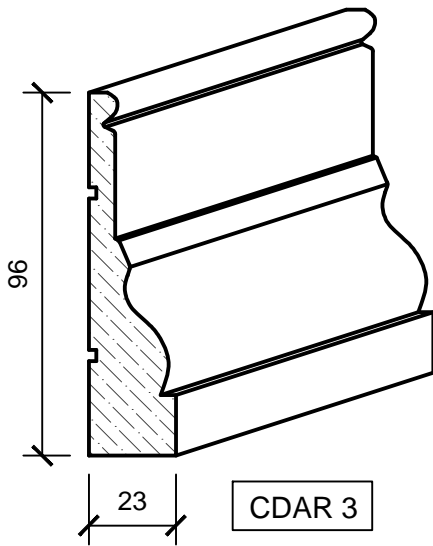


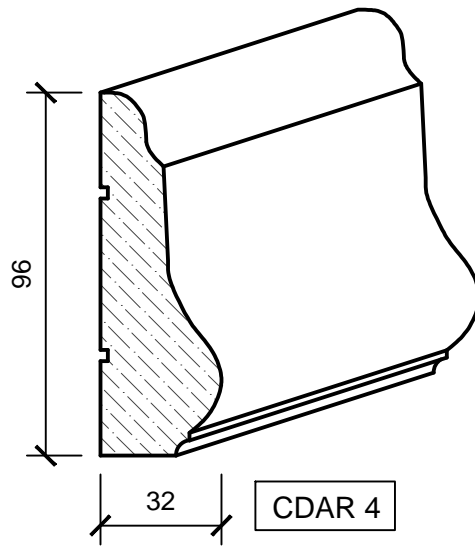
CDAR 1



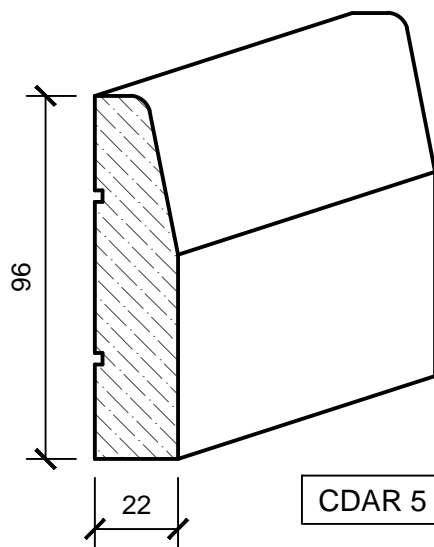
CDAR 2



CDAR 3



CDAR 4



CDAR 5

NOTES:

1. THE DESIGN OF THIS DRAWING IS COPYRIGHT AND REMAINS THE PROPERTY OF CAPE DUTCH GROUP, UNLESS OTHERWISE STATED.
2. ANY DISCREPANCIES MUST BE REPORTED TO CAPE DUTCH GROUP.
3. ALL DIMENSIONS ARE IN MILLIMETERS.
4. DO NOT SCALE FROM DRAWING, REFER ONLY TO FIGURE DIMENSIONS.

CLIENT:
CAPE DUTCH GROUP

TITLE:
STANDARD ARCHITRAVE DETAILS

rev	date	description	by
A	02/11/2015	For Approval	AG

QUOTE / JOB NUMBER:

CAPE DUTCH
Group
QUALITY GUARANTEED
Est. 1995
Tel: +27 22 487 1254 Fax: +27 22 487 2170
9 Fabriek Street, PO Box 112, Malmesbury 7299

DWG. NO. _____